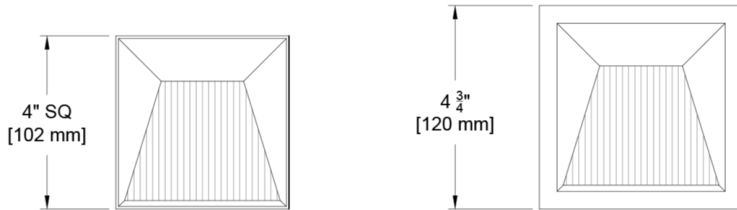
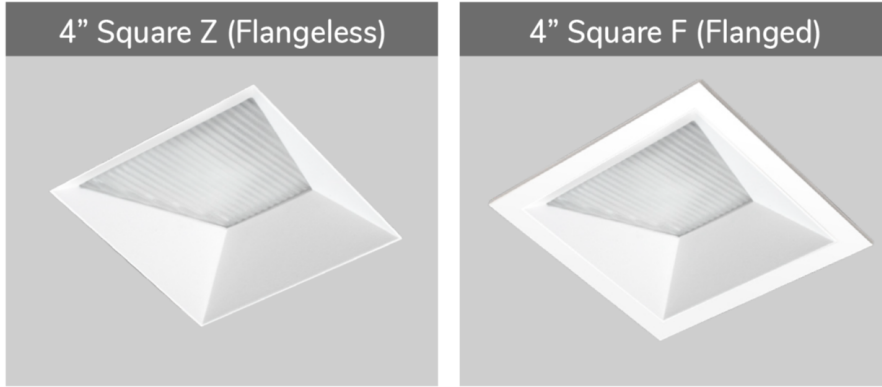


The Core Family

Welcome to the Core line of fixtures. You will find a rich diversity of technical and aesthetic options with over 14 finishes including custom wood trims, flux and source selections featuring 90+ CRI fixed white and our world class Ambient Dim (Warm Dim), a 3.7:1 uniformity ratio from top to bottom of the wall and plethora of driver and control choices. The Core wall wash is created on a platform allowing a high degree of modification, so if you don't see what you are looking for, just ask.



PROJECT:

TYPE:

SPECIFIER:

DATE:

Key Points (CR4WW-SA)

Trim

- Flange of Flangeless
- Frosted Supertex borosilicate glass spread lens, hinged for source and driver service
- Flangeless includes plaster flange with plaster lip
- 14 color options + custom, RAL or wood available
- One-piece die cast aluminum or machined wood trim

Source / Optics

- 2400K, 2700K, 3000K, 3500K, 4000K Ambient Dim, RGBW & Tunable White options
- Lifetime: L87B3 > 55,000 hours at 40°C ambient
- 90 CRI, 60+ R9 Standard- 95 CRI 90+R9 Optional
- <2 MacAdam Steps (<2SDCM) for fixed white
- Up to 1069 delivered lumens
- Adjustable to 45° with 360° of rotation
- Uniform light from floor to ceiling. Achieves a 3.7:1 ratio on a 10' ceiling at 2.5' setback with a 1:1 on center spacing

Housing

- Compliant to with Airtight Housing (C14 only)
- Us Listed – Damp or wet with shower trim
- Approved for 8 (4-in / 4-out) #12 AWG conductors rated for 90°C through wiring
- IC Rated / Airtight Housing approved for use in direct contact with insulation – Chicago Plenum Available
- Heavy gauge aluminum for new construction or remodel

Driver

- TruPhase™, 0-10, DALI-2, DMX, Ecosystem or Wireless Control
- Flicker free to IEEE 1789-2015 available with EldoLED and TruPhase™ selections
- Prewired and integral to housing
- Universal 120-277v

Ordering Codes

PROJECT:

SPECIFIER:

DATE:

TYPE:

QUANTITY:

Ordering Code Example: CR4WW-SA-Z-AP-C20-35-E1-P14-EM

FIXTURE	TRIM	MOUNTING	SOURCE / WATTS	CCT	DRIVER / CONTROL	TRIM FINISH	ACCESSORIES
<p>CR4WW-SA</p> <p>Core 4" Square Adjustable Wall Wash</p>	<p>Flanged Trims</p> <p>F Flanged Trim</p> <p>FS Flanged Shower Trim <i>(for mounting choose from Flanged Housings)</i></p> <p>Flangeless Trims</p> <p>Z Flangeless Trim</p> <p>ZS Flangeless Shower Trim <i>(for mounting choose from Flangeless Housings)</i></p>	<p>Flanged Housings</p> <p>U Universal - Non IC Housing</p> <p>AU ●● Airtight Universal IC-Rated</p> <p>Flangeless Housings</p> <p>P Plaster</p> <p>AP ●● Airtight Plaster IC-Rated</p> <p>PM Panel Mount</p> <p>APM ●● Airtight Panel Mount IC-Rated</p> <p>●● California Title Compliant * Cannot be used with C28 Source</p>	<p>Citizen</p> <p>C14 ●● 14W 679Lm 90+CRI, 60+R9</p> <p>C20 21W 832Lm 90+CRI, 60+R9</p> <p>C28 30W* 1069Lm 90+CRI, 60+R9</p> <p>Tunable</p> <p>T9 90+CRI, 60+R9 Tunable White</p> <p>T15 90+CRI, 60+R9 Tunable White</p> <p>T20 ●● 21W 858Lm 95+CRI, 90+R9</p> <p>●● California Title Compliant to JA8.</p> <p>* Requires Active Cooling, must be used with NIC housing. Not compatible with L2 and LP drivers.</p>	<p>24 2400K</p> <p>30 3000K</p> <p>35 3500K</p> <p>40 4000K</p> <p>27 2700K</p> <p>Tunable</p> <p>TW1840 1800-4000K Tunable White w/ E1, E2, E3, E4</p> <p>TW2765 2700-6500K Tunable White w/ E1, E2, E3, E4</p> <p>RG1280 1200-8000K RGBW Dynamic Color Changing *Requires E2 or E4</p> <p>Ambient Dim™</p> <p>2722* 2700-2200K *A14 Only</p> <p>3019 3000-1900K</p> <p>3022* 3000-2200K *A14 Only</p>	<p>C1 0-10 1.0%, UNV (120-277V) linear</p> <p>C2 ELV/Triac 1.0%, (120V) linear</p> <p>E1 0-10 0.1%, UNV (120-277V) log</p> <p>E2 DALI-2 0.1%, UNV (120-277V) log</p> <p>E3 0-10 0.1%, UNV (120-277V) linear</p> <p>E4^ DMX 0.1%, UNV (120-277V) Universal DMX Driver/Controller RGBW-DMX ^ INCLUDES DMX/RDM COMPATIBLE DRIVER WITH BUILT-IN DECODER - CONTROLLER BY OTHERS</p> <p>LD Digital Ecosystem 1.0%, UNV (120-277V) ECO Hi-Lume SoftOn/Fade-to-Black LDE1</p> <p>TR2 TruPhase™ 0.1%, (120-120V) log Up to 20W Forward and Reverse compatible Phase Dimming Static White & Ambient Dim only</p> <p>* Not compatible with C28</p>	<p>W White Paint</p> <p>B Black Paint</p> <p>PXX Specialty Paint Color*</p> <p>C Custom/RAL Color**</p> <p>D Wood*</p> <p>*See Wood Trim Guide **Refer to Finish Guide</p> <p>FINISH GUIDE LINK</p> <p>WOOD TRIM GUIDE</p>	<p>EM Emergency Pack</p> <p>CP Chicago Plenum</p> <p>Controls</p> <p>LR Lutron Wireless RF PowPak</p> <p>ATH Lutron Athena Wireless Node <i>Must be used with E2 driver</i></p> <p>CA Casambi Wireless BLE to be paired with driver</p>

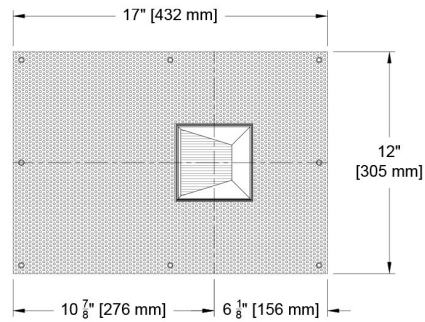
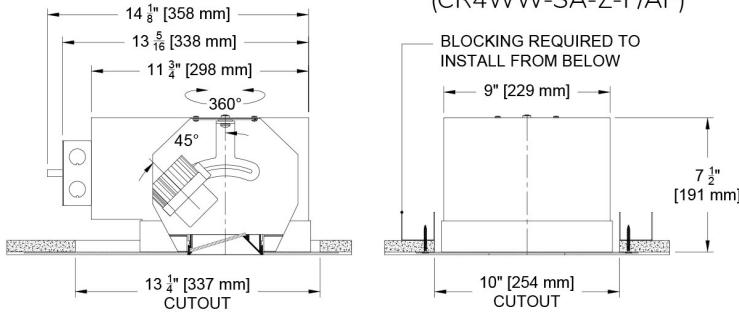
Ceiling Cutouts and Dimensions

Deep Regress Shown - others similar

Square Flangeless Housing

Plaster Mount (P/AP)

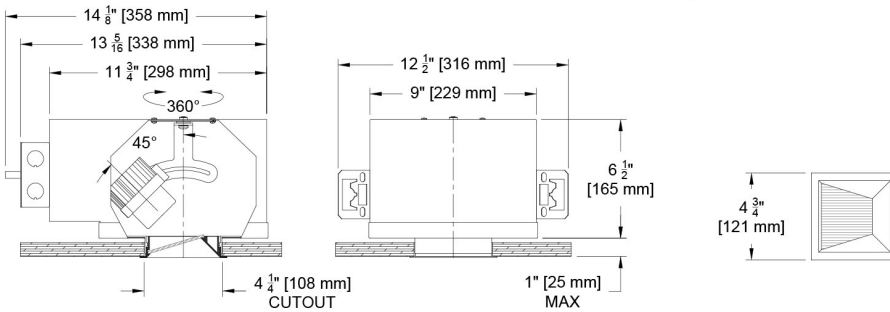
(CR4WW-SA-Z-P/AP)



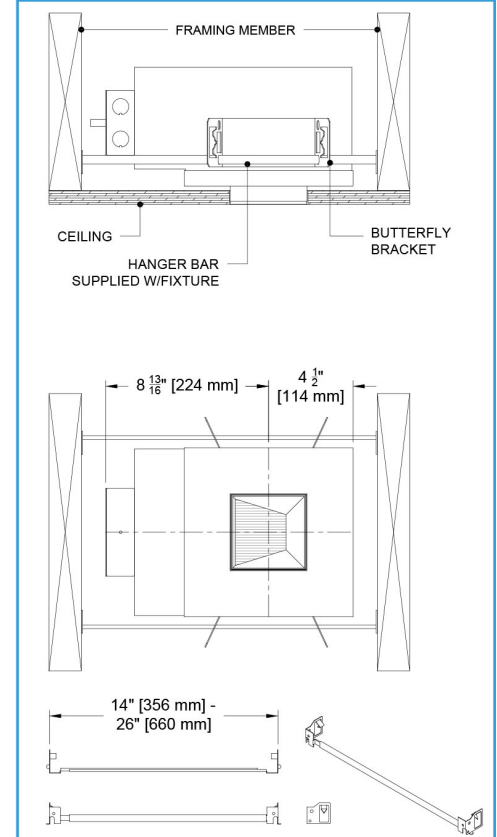
Square Flanged Housing

Flanged Mount (U/AU)

(CR4WW-SA-F-U/AU)



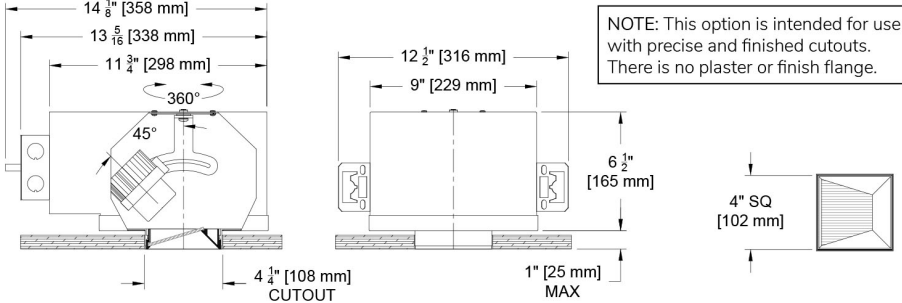
Hanger Bar Detail



Square Flangeless Housing

Flangeless Mount (U/AU)

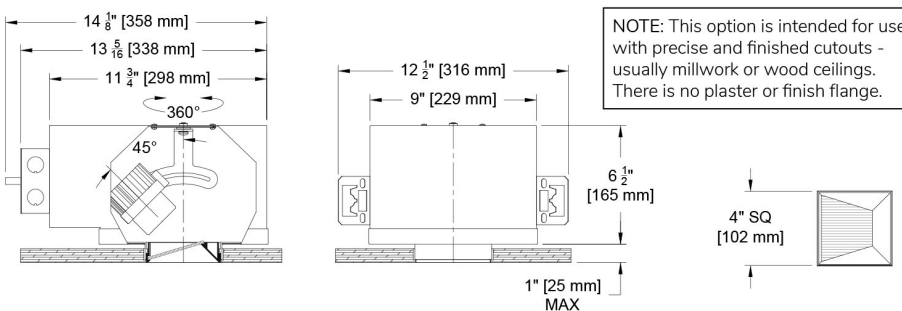
(CR4WW-SA-Z-U/AU)



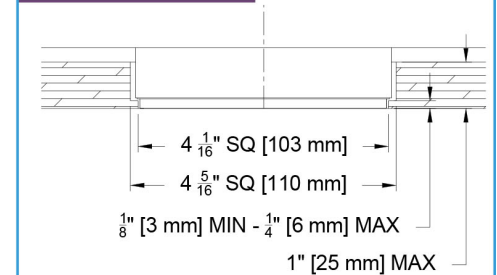
Square Flangeless Housing

Panel Mount (PM/APM)

(CR4WW-SA-Z-PM/APM)



Panel Mount Detail



Photometric Table

All data is based from goniometer measurements of production representative product. All lumen values can vary +/- 10% from LED manufacturer rated flux range. Measurements at 3000 CCT. C28 source requires active cooling and must be used with NIC housing for required airflow. C14 is the only source to meet CA Title 24 /JA8 requirements. All values can vary +/-10% from source manufacturer rated flux range. All data taken from fixed fixture (CR4WW-SF) - contact your regional sales manager if tilt measurements are required

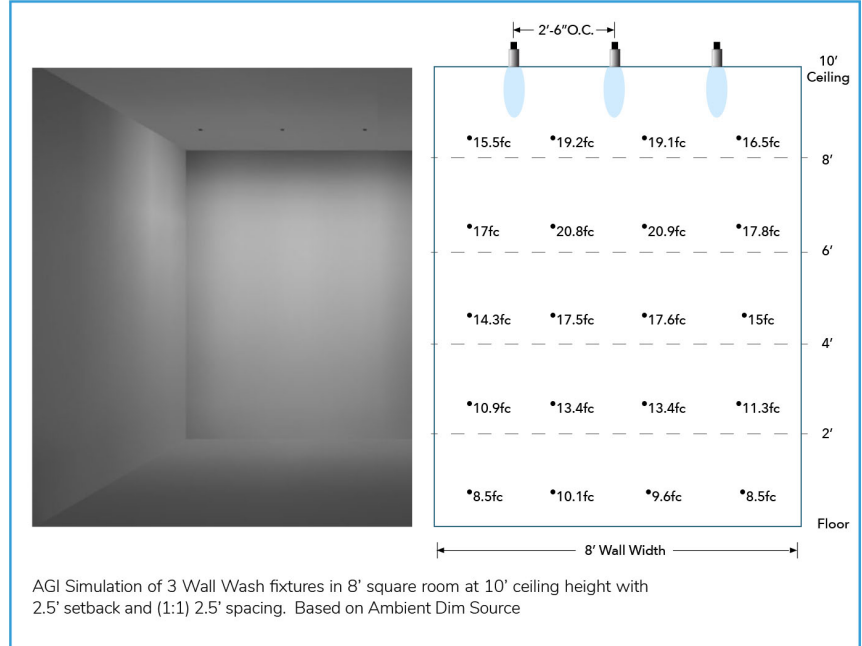
All data below is based from goniometer measurement of production representative product. All lumen values can vary +/- 10% from LED manufacturer rated nominal flux.

SQUARE Wall Wash (CR4WW-SA)			
Source	System watts (W)	Delivered Lumens (lm)	Lumens/ Watt
Citizen C14	14	679	49
Citizen C20	21	832	40
Citizen C28*	30	1069	35
Ambient Dim A14	15	461	31

CCT Multiplier	
CCT	Citizen
2700	0.95
3000	1.00
3500	1.02
4000	1.03

All data based on 3000k in fixed position (CR4WW-SF). Ambient Dim based on 3000k at full output. *C28 requires active cooling and cannot be used with IC housing, Chicago Plenum or LP Driver.

35.6°

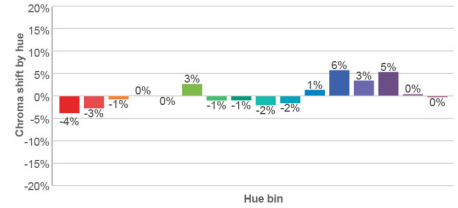
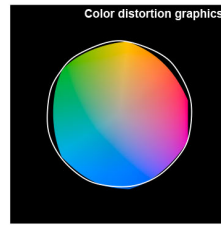
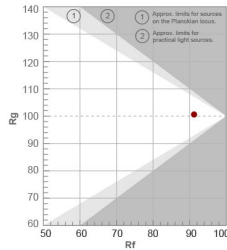
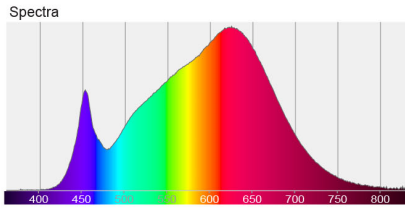
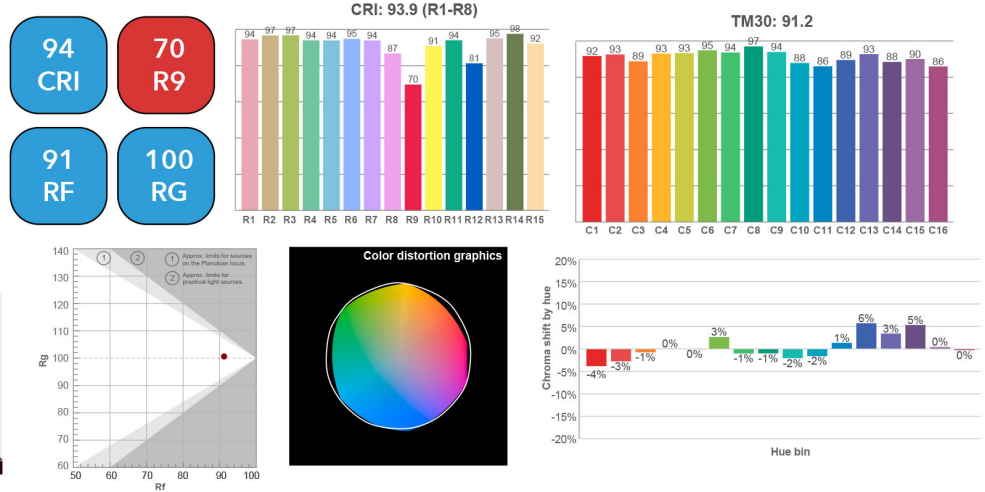


Color Data

All data is based from goniometer measurements of production representative product. All values can vary +/- 10% from LED manufacturer rated data range. Measurements at 3000 CCT unless otherwise noted

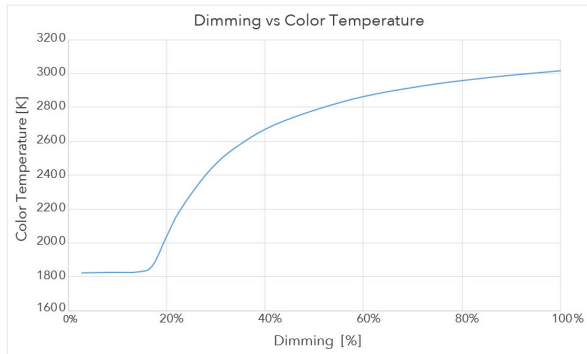
Citizen Sources - C14, C20 and C28

- <2 MacAdam Ellipse (<2 SDCM)
- 90+ CRI and RF
- 60+R9, Hue Bin 1

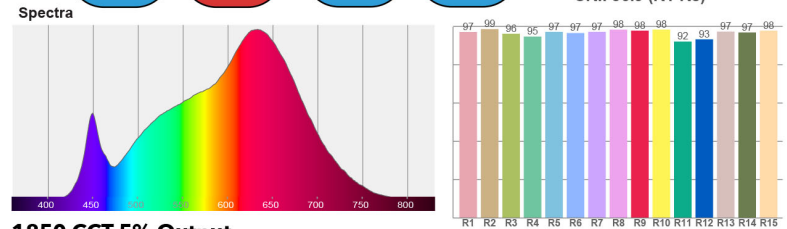


Ambient Dim - 3000k to 1900k

- <3 MacAdam Ellipse (<3 SDCM)
- 95+ CRI and RF
- 90+R9, Hue Bin 1
- Follows Black Body Locus through dimming range



3000 CCT Full Output



1850 CCT 5% Output

